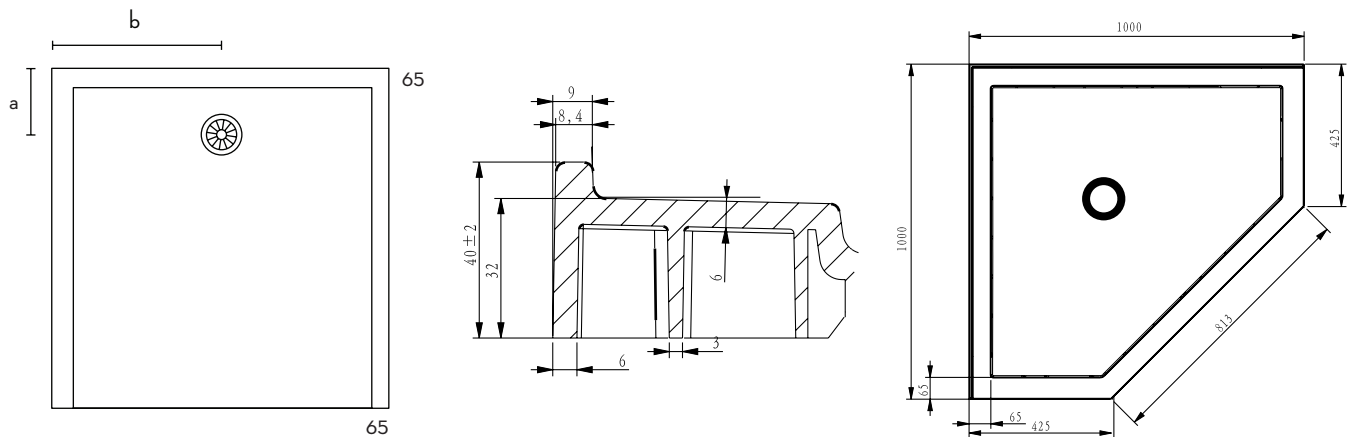


flinders ultralite™

shower base



This innovative new product features high compression moulded thermo set resin throughout, making Flinders shower base the lightest and most durable self-supporting shower base in the Marbletrend range.

FEATURES & BENEFITS

- > Ultralite™ material throughout
- > Self-supporting
- > Super low profile – 40mm high including flange
- > 4 sided, 9mm tile flange

MATERIALS

- > Marblelite™

WASTE

- > Includes waste outlet with 50mm male thread, plus white dome cover (dome for rear outlet only)

PRODUCTS

Standard Square

White

| | |
|---------|------------------------------------|
| KUB26CW | 900 W x 900 D x 40 H REAR OUTLET |
| KUB28CW | 900 W x 900 D x 40 H CENTRE OUTLET |
| KUB40CW | 1000 W x 1000 D x 40 H REAR OUTLET |
| KUB34CW | 1220 W x 900 D x 40 H REAR OUTLET |

Standard NEO Corner

White

| | |
|---------|--------------------------------------|
| KUB69CW | 900 W x 900 D x 40 H CENTRE OUTLET |
| KUB79CW | 1000 W x 1000 D x 40 H CENTRE OUTLET |

DISCLAIMER

Marbletrend Pty. Ltd. 2013 ABN 65 109 273 912. The manufacturer/distributor reserves the right to vary specifications or delete models from their range without prior notification. Dimensions and set-outs listed are correct at the time of publication however the manufacturer/distributor takes no responsibility for printing errors. All sizes quoted are in millimetres and are nominal. Product colour shown is as near to actual product colour as production methods permit. Warranty periods apply.