



G E M I N I

J3001

March 2016

SUPERSEDES ALL PREVIOUS ISSUES

2.2.8

AVON

COUNTER TOP DROP IN VANITY BASIN

Nominal size 500 x 430mm



1 or 3 TAPHOLE



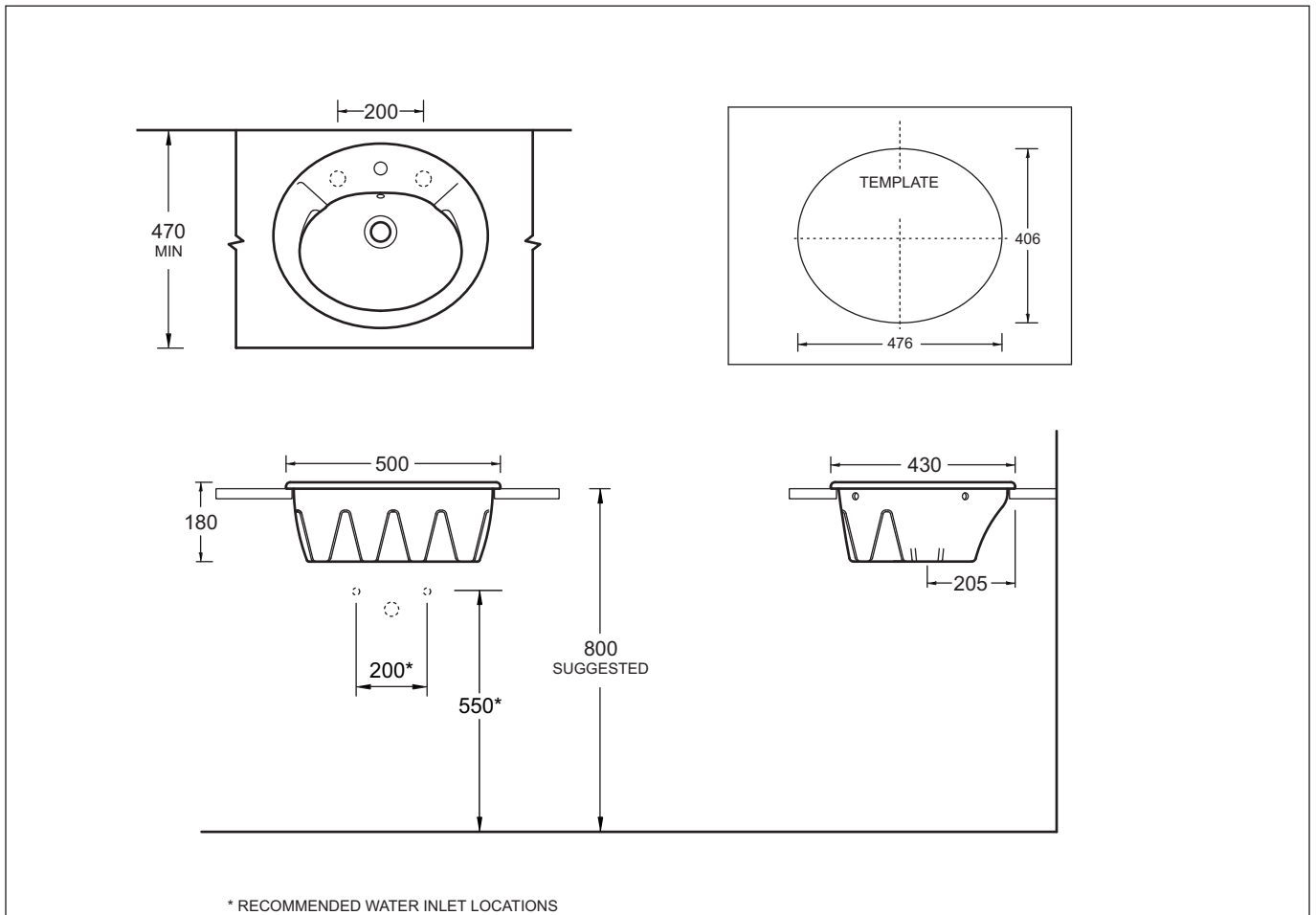
- Attractive oval shaped general use vanity basin with twin soap recesses.
- Standard overflow
- Available with 1 or 3 tap holes
- 32mm waste outlet
- Bowl capacity 4.5L
- 500 x 430mm

Provided

Type	Description	Code
Basin	Avon Counter Top Vanity Basin	J3001
O/Flow Trim	CP Ring - JS	X063
Installation	Counter Template Kit	✓
Optional Accessories		
Plug&Waste	Plug & Waste 32/40mm O/Flow Chrome	PW1
Plug&Waste	Plug & Waste 32/40mm O/Flow Plastic	PW2



NOTE: BASIN TO BE SEALED TO COUNTER TOP USING ACETIC CURE SILICONE SEALANT
DO NOT USE EPOXY ADHESIVES



All dimensions are in millimetres and are subject to normal manufacturing variation.
As product development is ongoing Gemini reserves the right to vary specifications without notice