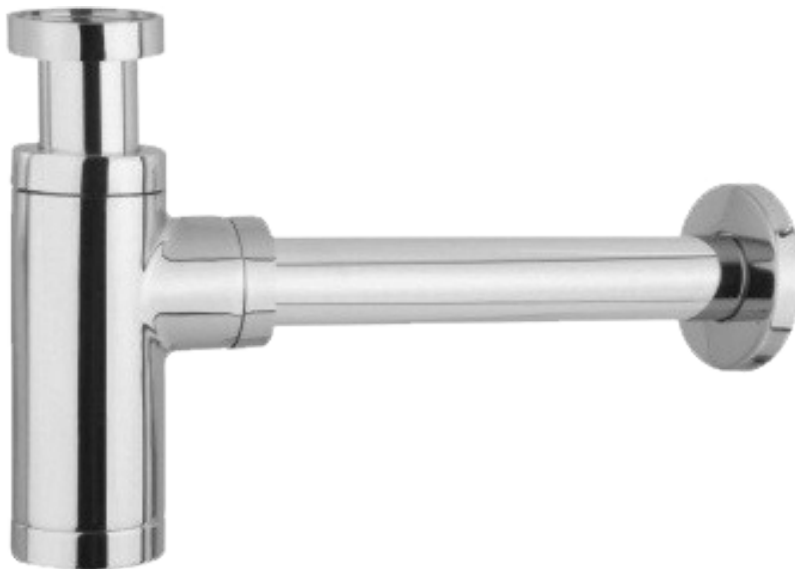


BOTTLE TRAP BT2

CHROME FINISH

BRASS BOTTLE TRAP



BOTTLE TRAP BT2

CHROME FINISH BRASS BOTTLE TRAP

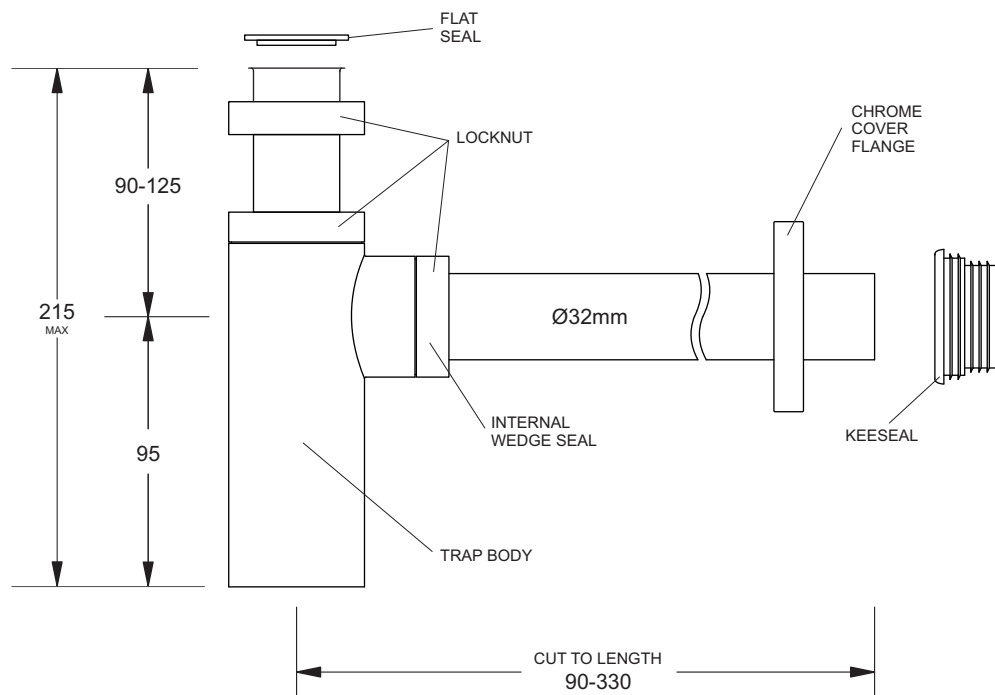


- Chrome finish brass bottle trap
- Attractive modern design
- For installation with basins in an exposed situation creating a contemporary minimalist design
- Vertically and horizontally adjustable for flexibility of installation
- Rubber keeseal connector included
- Fits directly to standard 32mm waste

Provided

Item	Description	Code
Trap	Brass Bottle Trap 32mm	BT2
Instructions	Installation Sheet	✓

BOTTLE TRAP BT2



All dimensions are in millimetres and are subject to normal manufacturing variation.
As product development is ongoing BPA reserves the right to vary specifications without notice.