

COTTAGE +



TOILET SEAT
SOFT CLOSE HINGE

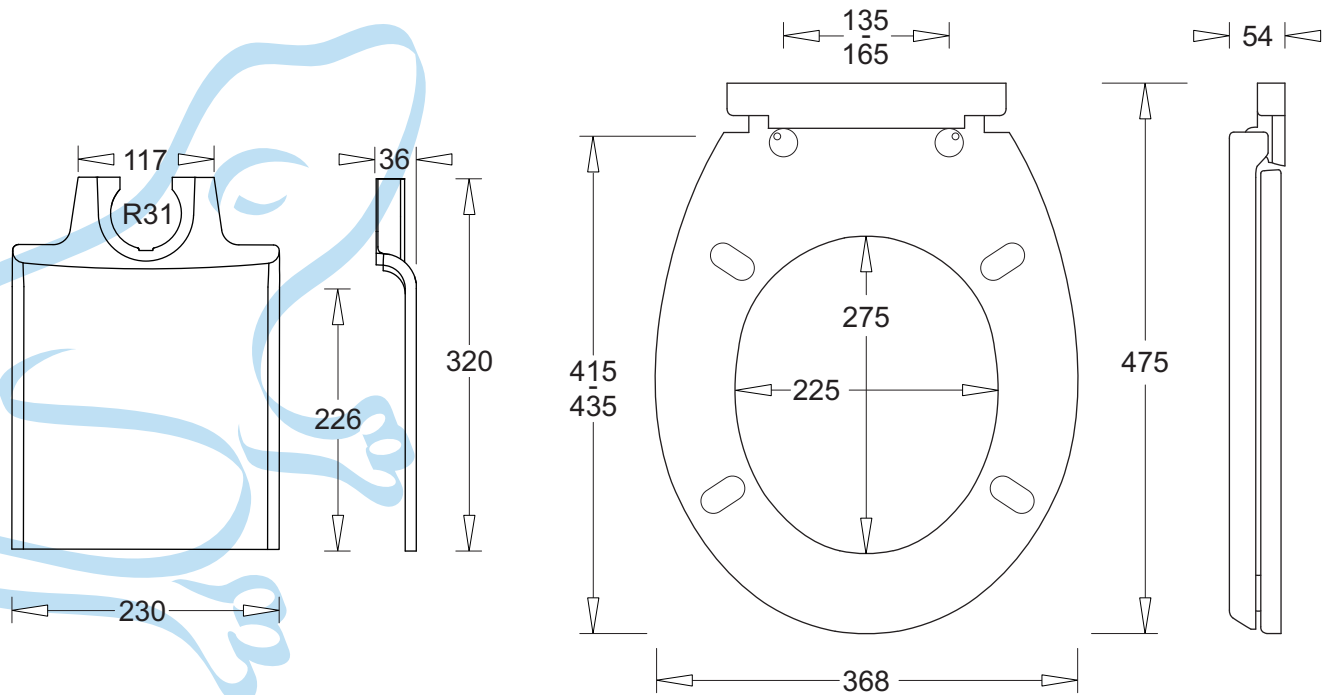
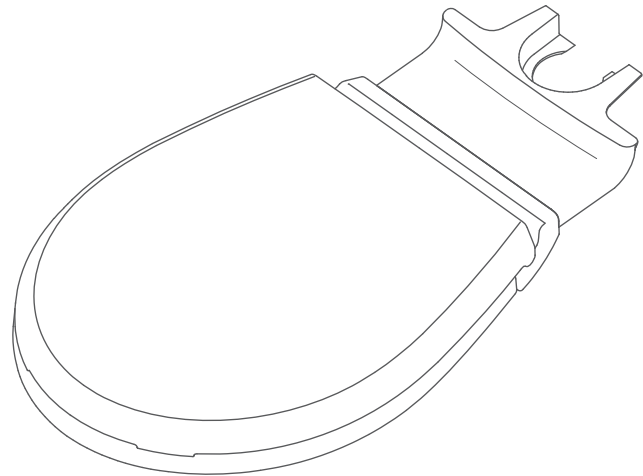
CODE:
G1027ASC

FEATURES

- DURABLE POLYPROPYLENE CONSTRUCTION
- BOLT-THROUGH FIXING WITH SOFT CLOSE HINGE
- FITS MOST STANDARD TOILETS
- ADJUSTABLE LINK PIECE
- SIMPLE SECURE FITTING
- MOULDED SEAT BUFFERS

COMPATIBILITY

J2000A	MODE S PAN
J2001A	MODE P PAN
J2030A	MODE DELUXE S PAN
J2010	CIVIC/PLAZA CC S PAN
J2011	CIVIC/PLAZA CC P PAN
J1424	MILANO CC S PAN
J1425	MILANO CC P PAN



TECHNICAL DATA SHEET

SUPERSEDES ALL PREVIOUS ISSUES

All dimensions are in millimetres and are subject to normal manufacturing variation. As product development is ongoing BPA reserves the right to vary specifications without notice.
Bathroom Products Australia P/L ABN 87 079 297 617



2/97 Banksia St., Botany, NSW 2019
TEL: 1300 717 717 FAX: 1300 746 480
www.johnsonsuiss.com.au