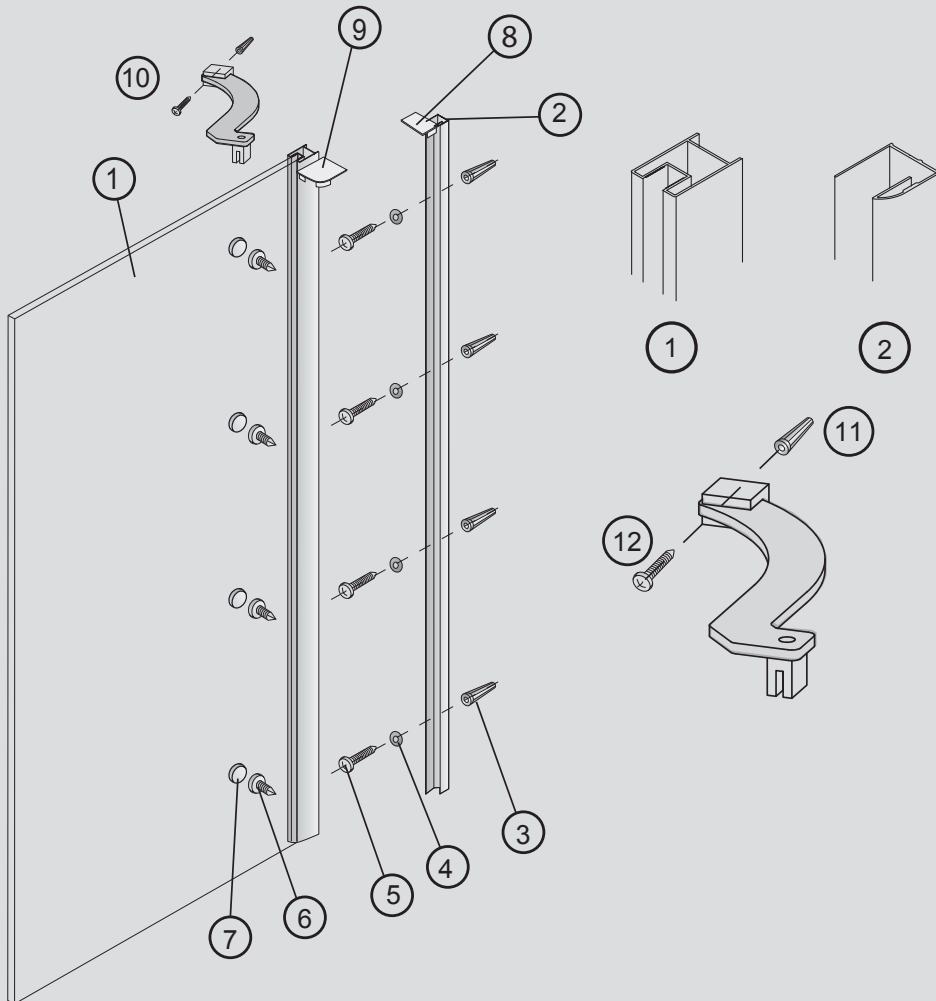




# flinders shower panel

## INSTALLATION GUIDE



### COMPONENT LIST

1. 1 x Fixed panel with jamb
2. 1 x Wall jamb
3. 4 x 6mm anchors
4. 5 x 4mm SS washers
5. 4 x 3.5x35 SS screws
6. 4 x 3.9x8 SS screws
7. 4 x Screw caps
8. 1 x Wall jamb cap
9. 2 x Side panel covers(L/R)
10. 1 x Support arm assembly
11. 1 x 8mm anchors
12. 1 x 5x45 SS screw

### STEP 1

- A) Place wall jamb (2) on wall make sure jamb is plumb and mark holes
- B) Drill 4 x 6mm holes to a depth of 35mm in wall and insert 6mm anchors (3)
- C) Fix wall jamb using 4mm stainless steel washers (4) and 4 x 3.5x35mm screws (5)

### STEP 2

- A) Insert fixed panel (1) into wall jamb (2)
- B) Drill 4 x 3.2mm holes and fix panel to wall jamb using 4 x 3.9x8mm screws (6) and fit plastic screw caps (7) over screw heads

### STEP 3

- A) Place support arm in position on top of fixed panel and mark position on wall. Drill 8mm hole to a depth of 35mm and insert 8mm anchor (11)

- B) Fix support arm using 5x45mm stainless steel screws (12)
- C) Tighten grub screw to fixed panel ensuring panel is level and plumb

### STEP 4

- A) Place wall jamb cap (8) on wall jamb and cover (9) for fixed panel

### STEP 5

- A) Apply silicone sealant around wall jamb band fixed panel on external joints only
- B) Allow 24hrs for silicone to set before using shower

### SHOWER PANEL MODELS

Model	Size
SSSP26CHCLP	2000 x 851 (+25)
SSSP34CHCLP	2000 x 1165 (+25)

# flinders shower panel

**FOR FURTHER INFORMATION PLEASE  
CONTACT YOUR NEAREST MARBLETREND  
OFFICE:**

**HEAD OFFICE (SYDNEY)**

2/97 Banksia St, Botany, NSW 2019  
T 1300 717 717 F 1300 746 480

**MELBOURNE**

31 Koornang Rd, Scoresby, VIC 3179  
T 1300 717 717 F 1800 225 315

**BRISBANE**

1/477 Newman Rd, Geebung, QLD 4034  
T 1300 717 717 F 1300 746 480

**PERTH**

27 Harris Rd, Malaga, WA 6090  
T 1300 717 717 F 1800 746 480

**ADELAIDE**

Rep: Terry Hayes  
T 0499 221 201 F 1800 225 315

**HOBART**

Rep: Bob Moore  
T 0428 223 116 F 1800 225 315

**DUBBO**

Rogers Agencies  
6 Richard Ryan Pl, Dubbo NSW 2830  
T 02 6882 2733 F 02 6882 2169

[www.marbletrend.com.au](http://www.marbletrend.com.au)

**WARRANTY INFORMATION**

This warranty is provided by:  
Bathroom Products Australia Pty Ltd  
(ABN 87 079 297 617)

2/97 Banksia St  
Botany NSW 2019  
P 1300 717 717  
F 1300 746 480  
E [bpa.warranty@johnsonsuiss.com.au](mailto:bpa.warranty@johnsonsuiss.com.au)

Bathroom Products Australia provides a 1 year parts and labour product warranty, subject to correct installation procedure and a 1 year product replacement warranty.

Visit [www.marbletrend.com.au](http://www.marbletrend.com.au) to view full warranty terms.

Our goods come with guarantees that cannot be excluded under the Australian Consumer Law. You are entitled to a replacement or refund for the major failure and for compensation for any other reasonably foreseeable loss or damage. You are also entitled to have the goods repaired or replaced if the goods fail to be of acceptable quality and the failure does not amount to a major failure.