

MODE II

CODE:
G1028A

TOILET SEAT

FEATURES

- DURABLE POLYPROPYLENE CONSTRUCTION
- BOTTOM-FIX HINGE
- BOLT TYPE NORMAL CLOSE TOILET SEAT
- CAN BE INSTALLED WITH PLASTIC LINK (OPTIONAL)

COMPATIBILITY

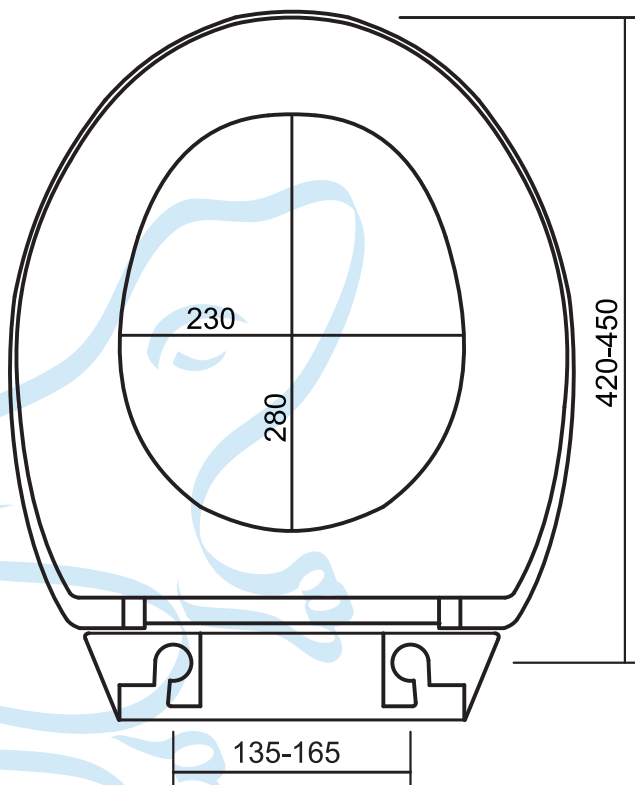
MODE S TRAP	J2000A
MODE P TRAP	J2001A
MODE DELUXE S TRAP	J2030A

WARRANTY

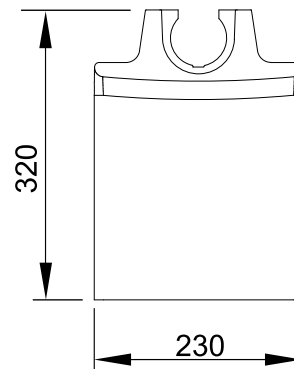
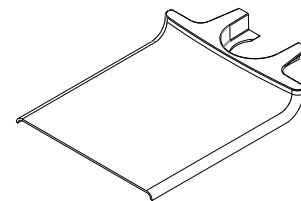
5 YEAR - REFER TO T&CS AT marbletrend.com.au



PRODUCT DIMENSIONS



X0255 matching link
(Not supplied with the seat)



OPTIONS

SEAT PLASTIC LINK

X0255

TECHNICAL DATA SHEET

SUPERSEDES ALL PREVIOUS ISSUES

All dimensions are in millimetres and are subject to normal manufacturing variation.
As product development is ongoing BPA reserves the right to vary specifications without notice.
Bathroom Products Australia P/L ABN 87 079 297 617



marbletrend

2/97 Banksia St., Botany, NSW 2019
TEL: 1300 717 717 FAX: 1300 746 480
www.johnsonsuisse.com.au