



marbletrend

J3190

November 2016

SUPERSEDES ALL PREVIOUS ISSUES

1.2.9

WINDSOR 410

COMPACT WALL BASIN

Nominal size 410 x 325mm



1 TAPHOLE

WINDSOR 410

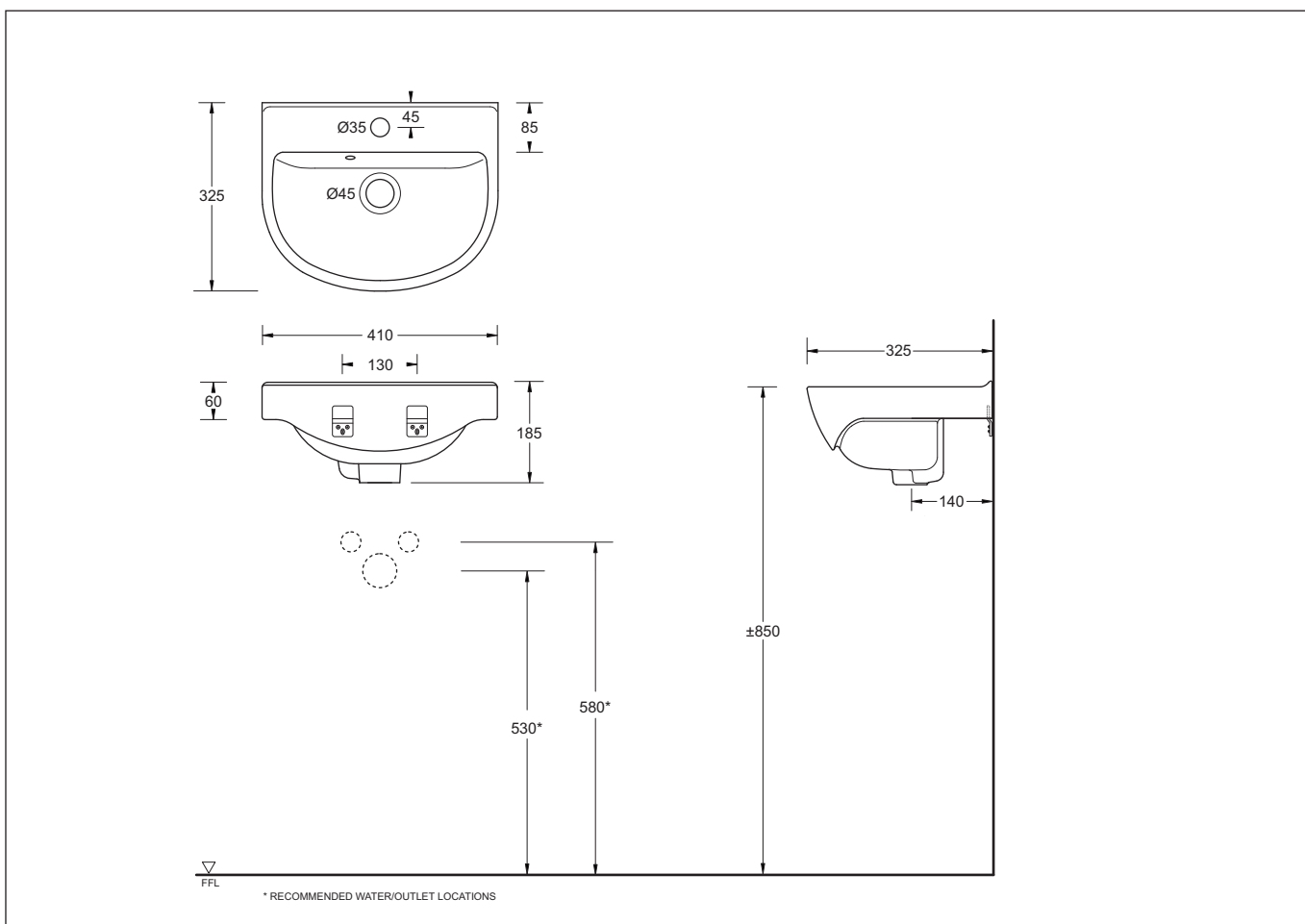
COMPACT WALL BASIN



- Compact, wall mounted hand rinse basin
- Contemporary design with a useful flat shelf area.
- Single central tap hole
- Standard overflow
- 32mm waste outlet
- Bowl capacity 2.0 L
- 410mm x 325mm

Provided

Item	Description	Code
Basin	Windsor 410 Wall Basin	J3190
Overflow Trim	CP Cap - JS	X063
Installation	Wall Installation Kit - Clip Brackets	
Plug & Waste	32/40mm Overflow-Plastix	PW2



All dimensions are in millimetres and are subject to normal manufacturing variation of +/- 3mm on all surfaces. As product development is ongoing BPA reserves the right to vary specifications without notice.

Bathroom Products Australia P/L ABN 87 079 297 617