



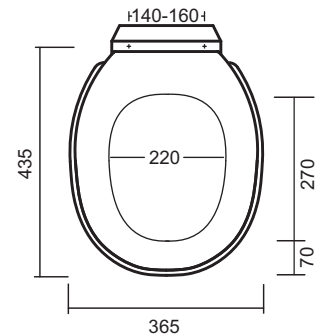
COTTAGE



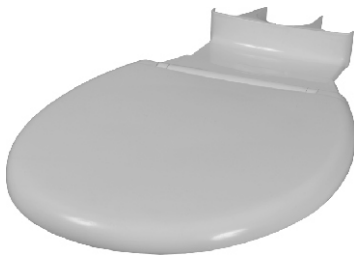
SEAT WITH OPTIONAL LINK PIECE SHOWN

A thermo-plastic seat with four buffers.
 Bolt-through hinges.
 This medium weight seat is designed specifically for general use.
 A link fitting for concealing the flush pipe is available.
 This seat can be used with the following pans:
 Mode, Mode Deluxe, Impact.

| | |
|---------------------|--------------|
| Code Seat and cover | G1027 |
| Code Link Assembly | X017A |



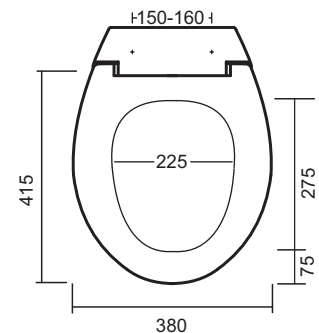
MODE



SEAT WITH OPTIONAL LINK PIECE SHOWN

A thermo-plastic bufferless seat .
 Bolt-through hinges.
 This medium weight seat is designed for general use and may be suitable for retro-fitting.
 A link fitting for concealing the flush pipe is available.
 This seat can be used with the following pans:
 Mode, Mode Deluxe, Impact.

| | |
|---------------------|--------------|
| Code Seat and Cover | G1028 |
| Code Link Piece | X025 |

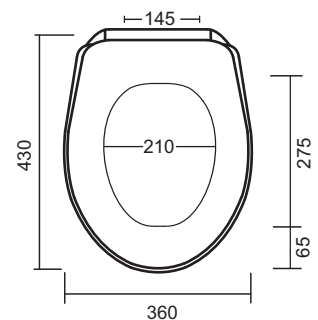


MIRAGE CLOSE COUPLED



A thermo-plastic seat with four moulded buffers.
 Concealed bolt-through hinges.
 This quality seat is designed specifically for fitting to the Mirage close coupled toilet suite.

| | |
|------|--------------|
| Code | J2811 |
|------|--------------|

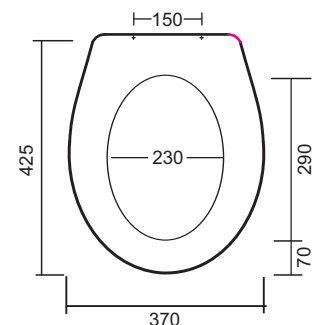


MIRAGE FLUSH TO WALL



A thermo-plastic seat with four moulded buffers.
 Top-fix soft close quick release hinges.
 This quality seat is designed specifically for fitting to the Mirage Flush to Wall toilet suite.

| | |
|------|--------------|
| Code | J2810 |
|------|--------------|



All dimensions are in millimetres and are subject to normal manufacturing variation of +/- 3mm on all surfaces. As product development is ongoing BPA reserves the right to vary specifications without notice.
 Bathroom Products Australia P/L ABN 87 079 297 617