



marbletrend

CHICO500

November 2016

SUPERSEDES ALL PREVIOUS ISSUES

12.1.3

MODE 500 ENSUITE VANITY

ENSUITE VANITY UNIT

Nominal size 510W x 410D x 830H mm



Durable Mould-formed Cabinet
Waterproof Polymer Material
Vitreous China Basin

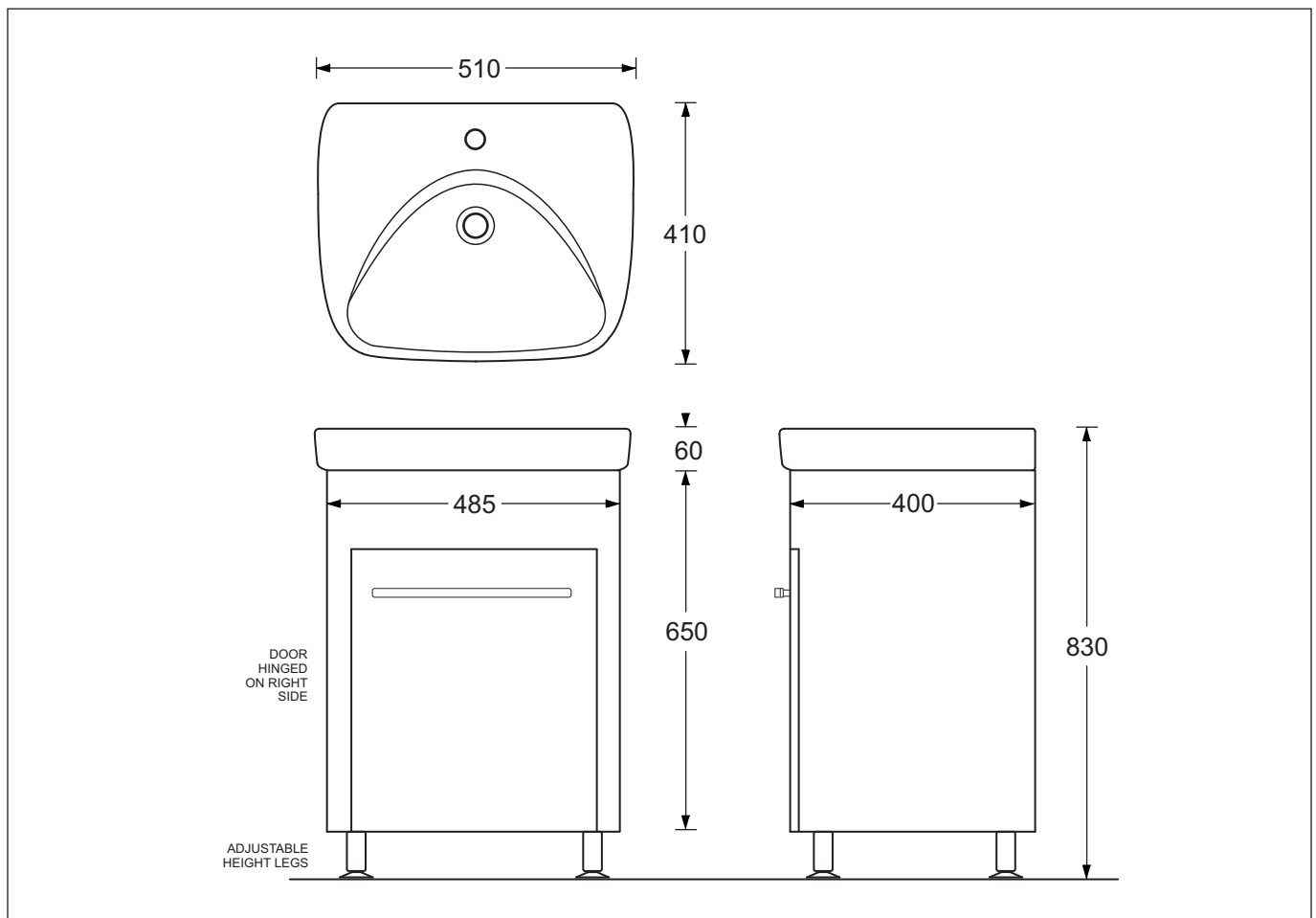
MODE 500 VANITY

ENSUITE VANITY UNIT



- A wall faced ensuite vanity with integrated vitreous china basin
- Basin size 510 x 410mm with a single centre taphole
- Generous tap-platform area on basin
- Cabinet mould-formed from durable polymer finished with high gloss 2 pack white poly finish
- Polymer material is safe in moist environments
- Standard overflow with chrome dress ring
- Single soft-close door(LH hinge)
- Fixed internal shelf with waste pipe cut-out
- Metal door handle and 4 adjustable legs

Provided		
Type	Description	Code
Cabinet	Mode 500 Ensuite Cabinet	Chico500
Basin	Chico 500 Vitreous China Basin	X091A
O/Flow Trim	CP Ring	✓
Handle	Vanity Door Handle - Metal	✓
Legs	Adjustable legs - 4x	✓



All dimensions are in millimetres and are subject to normal manufacturing variation of +/- 3mm on all surfaces. As product development is ongoing BPA reserves the right to vary specifications without notice.
 Bathroom Products Australia P/L ABN 87 079 297 617