



marbletrend

J3020

November 2016

SUPERSEDES ALL PREVIOUS ISSUES

2.2.7

MILANO

COUNTER TOP DROP IN VANITY BASIN

Nominal size 575 x 415mm



1 or 3 TAPHOLE

MILANO

COUNTER TOP DROP IN VANITY BASIN



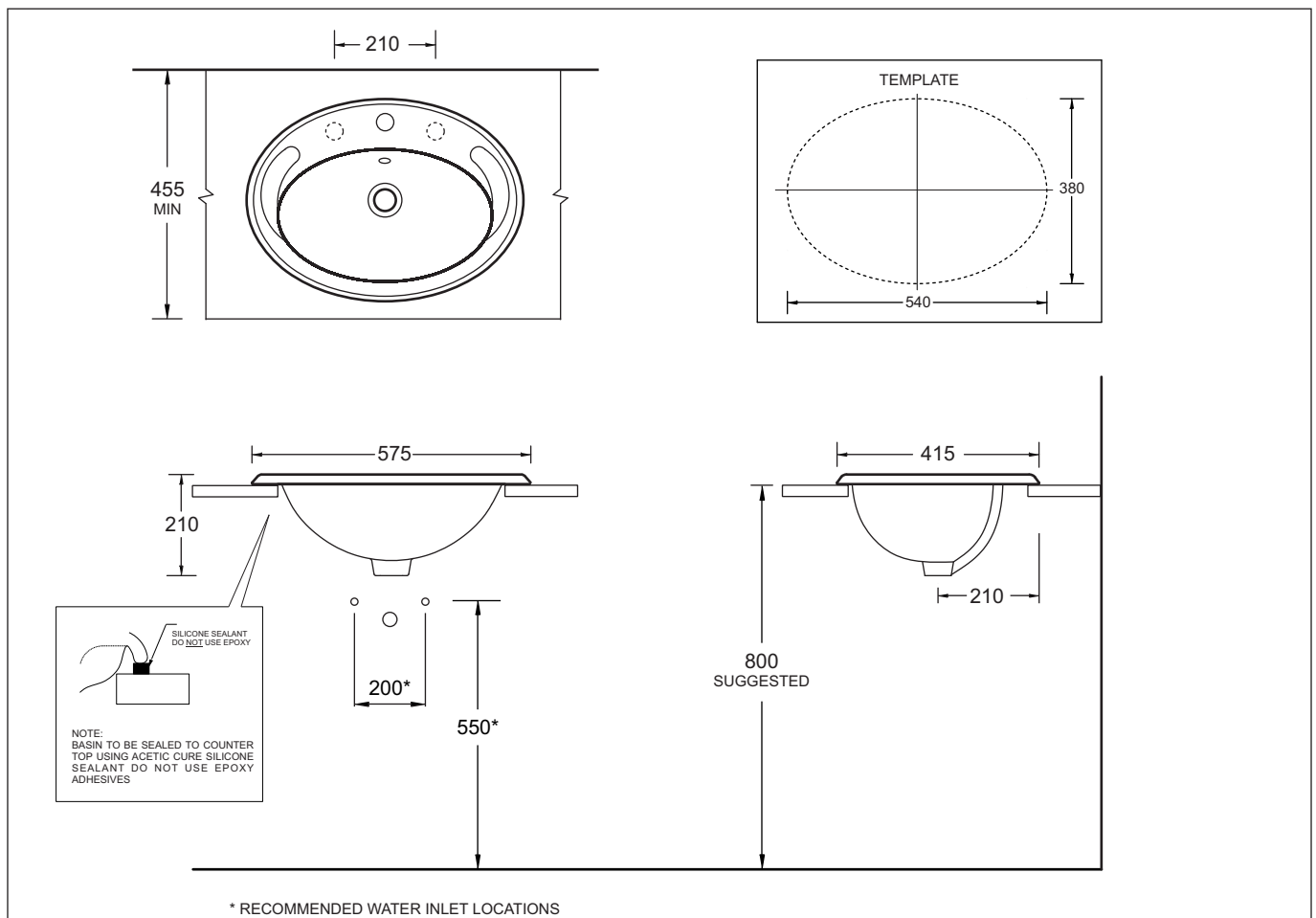
- Generously proportioned oval vitreous china drop in vanity basin
- Twin soap recesses
- Standard overflow
- Available with 1 or 3 tapholes
- 32mm waste outlet
- Bowl capacity 4L
- 575 x 415mm

Provided

Type	Description	Code
Basin	Milano Counter Top Vanity Basin	J3020
O/Flow Trim	CP Ring - JS	X063
Installation	Template Kit	√

Optional Accessories

Plug&Waste	Plug & Waste 32/40mm O/Flow Chrome	PW1
Plug&Waste	Plug & Waste 32/40mm O/Flow Plastic	PW2



All dimensions are in millimetres and are subject to normal manufacturing variation of +/- 3mm on all surfaces. As product development is ongoing BPA reserves the right to vary specifications without notice.

Bathroom Products Australia P/L ABN 87 079 297 617