

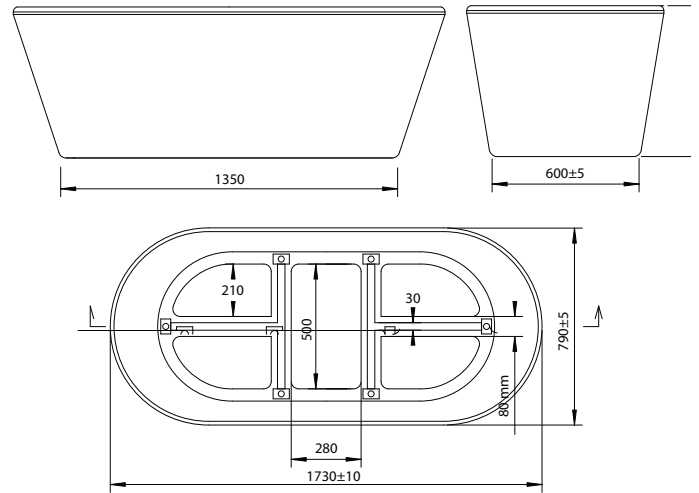
Merge MkII

Freestanding Bath

PRODUCT DATA SHEET



marbletrends
BATHROOMS



The Merge MKII freestanding bath features modern styling, easy to clean lightweight lucite® acrylic and dual lumbar support.

MATERIAL	Lucite® sanitary grade acrylic with fibreglass reinforced polyester resins
DESIGN	Freestanding
WEIGHT	42 kg
WASTE	Centre waste
CONSTRUCTION	Two piece fused Fully self-supported on adjustable legs

PRODUCT	COLOUR	CODE	DIMENSIONS	VOLUME
Merge MKII 1750	White/White	M2WHWH.FR	1750 L x 800 W x 600 H	228 litres

www.marbletrends.com.au

T: 1300 717 717

F: 1300 746 480

DISCLAIMER

Bathroom Products Australia P/L ABN 87 079 297 617 The manufacturer/distributor reserves the right to vary specifications or delete models from their range without prior notification. Dimensions and set-outs listed are correct at the time of publication however the manufacturer/distributor takes no responsibility for printing errors. All sizes quoted are in millimetres and are nominal. Product colour shown is as near to actual product colour as production methods permit. Warranty terms apply, refer to www.marbletrends.com.au