

ESTI

VANITY BASIN

Nominal size 560 x 440mm



1 TAPHOLE

ESTI

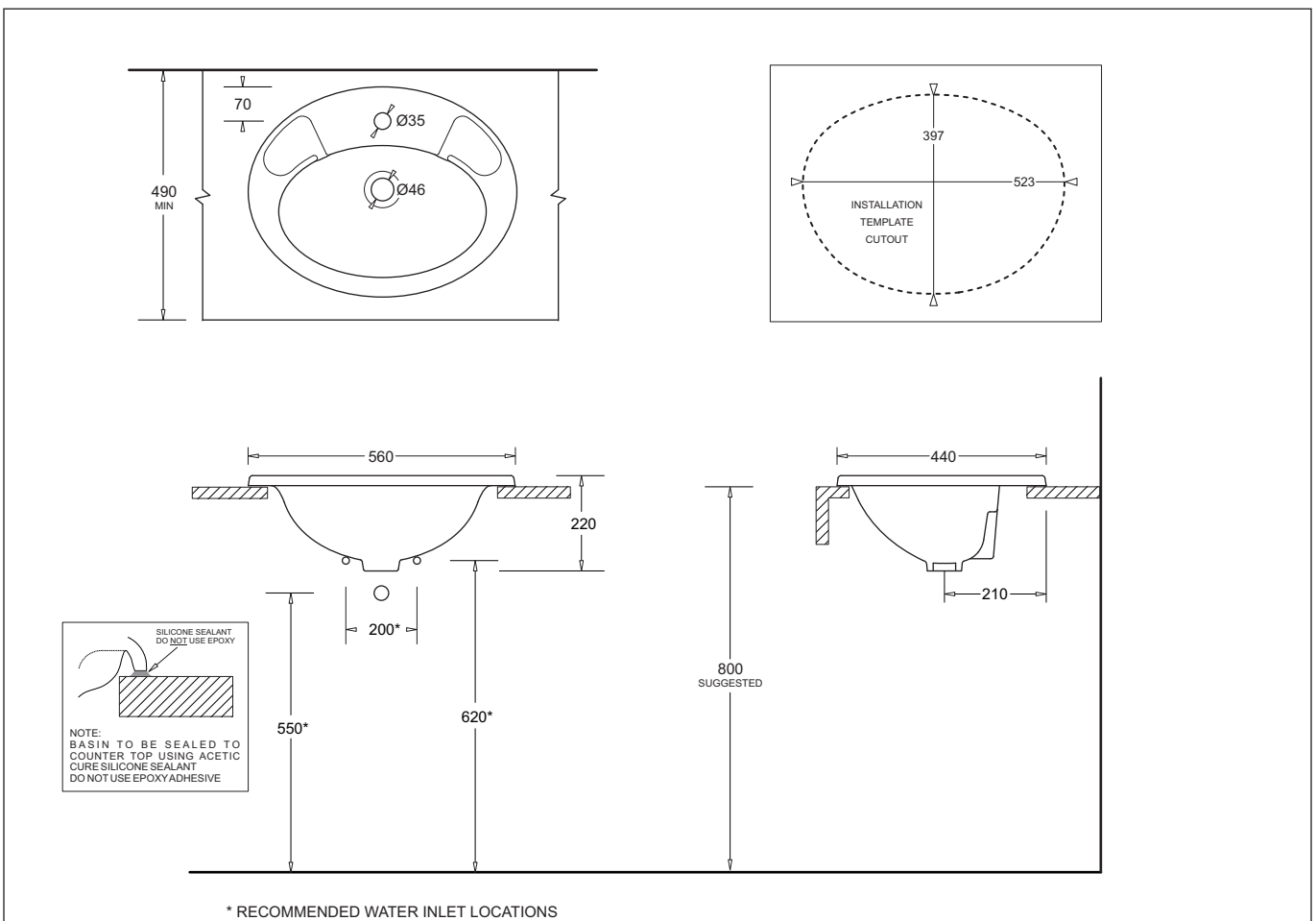
VANITY BASIN



- Generously proportioned oval vitreous china drop in vanity basin
- Twin soap recesses
- Available with 1 taphole
- 32mm waste outlet
- Bowl capacity 10.0L
- 560 x 440mm

Provided

Item	Description	Code
Basin	Esti Vanity Basin	MBSE155.1
Plug & Waste	32/40mm Overflow-Chrome	PW1
Installation	Cut-out Template	✓



All dimensions are in millimetres and are subject to normal manufacturing variation of +/- 3mm on all surfaces. As product development is ongoing BPA reserves the right to vary specifications without notice.

Bathroom Products Australia P/L
 ABN 87 079 297 617
 Tel: 1300 717 717
 Fax: 1300 746 480
 www.marbletrend.com.au R0.1