

## **MILANO II**

VANITY BASIN

Nominal size 465 x 400mm



1 TAPHOLE

# MILANO II

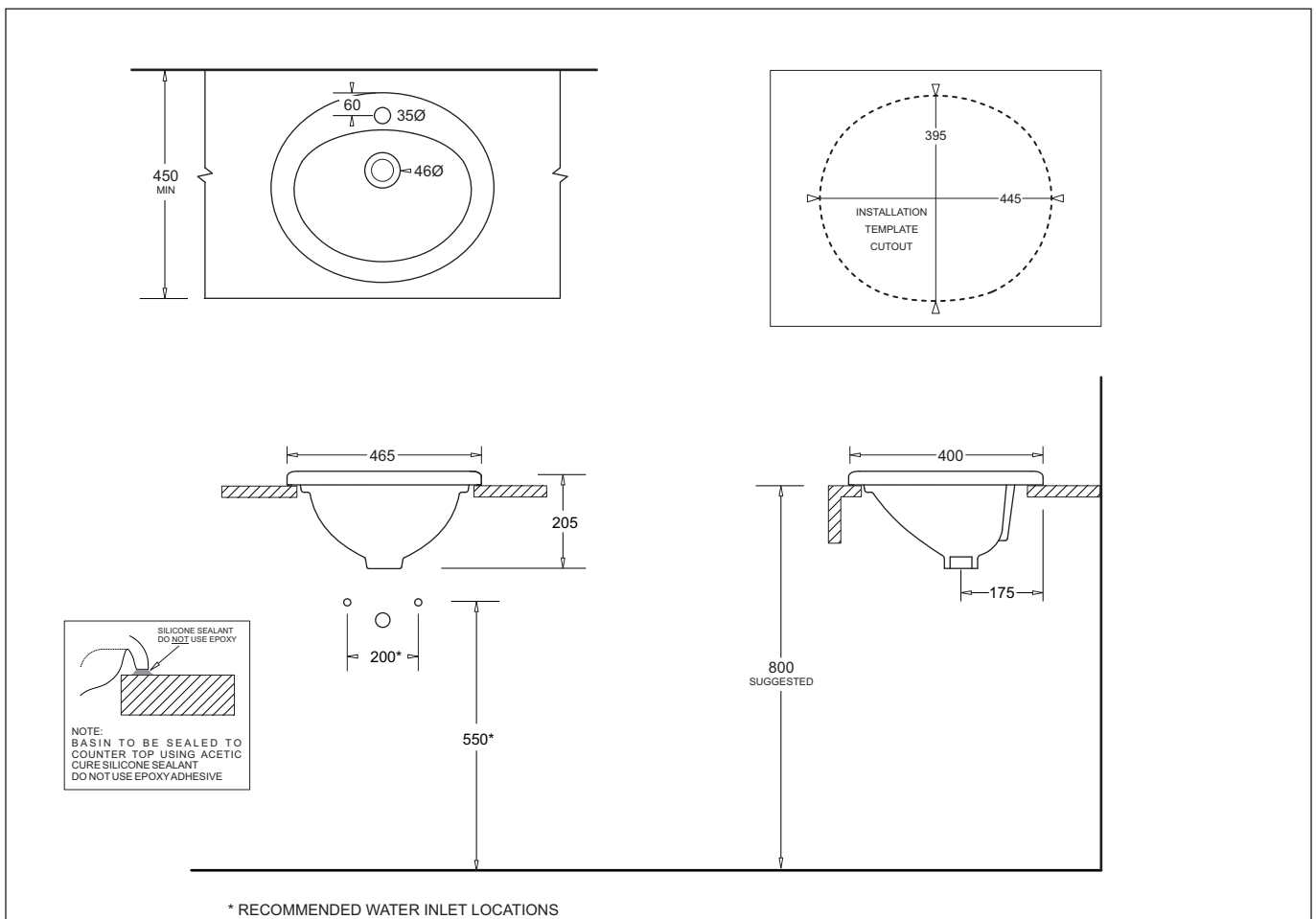
## VANITY BASIN



- Generously proportioned oval vitreous china vanity basin
- Available with 1 taphole
- 32mm waste outlet
- Bowl capacity 7.5L
- 465 x 400mm

### Provided

Item	Description	Code
Basin	Milano II Vanity Basin	MBSM145.1
Plug & Waste	32/40mm Overflow-Chrome	PW1
Installation	Cut-out Template	✓



All dimensions are in millimetres and are subject to normal manufacturing variation of +/- 3mm on all surfaces. As product development is ongoing BPA reserves the right to vary specifications without notice.

Bathroom Products Australia P/L  
 ABN 87 079 297 617  
 Tel: 1300 717 717  
 Fax: 1300 746 480  
 www.marbletrend.com.au R0.1