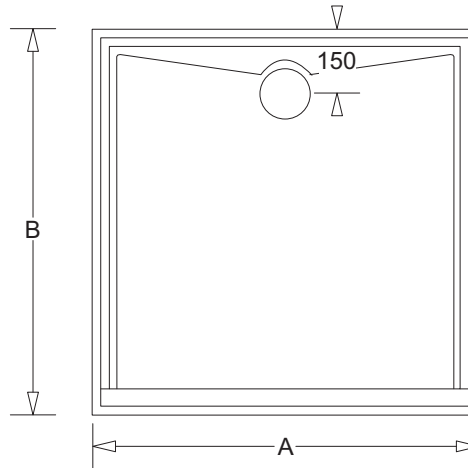


Easy RX



Polymarble shower base

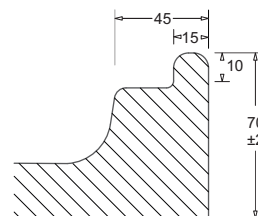


The Easy RX shower base is made from high-strength polymarble compound which is a durable, fully moulded material that is ideal for bathroom applications.

The Easy RX base features a rear outlet and 4 tile flanges. This base offers great flexibility for installation in two convenient sizes. The shower base has a stylish round dome outlet cover.

MATERIAL	Polymarble
CONSTRUCTION	Self-supporting on mortar bed or tile adhesive base
STEP HEIGHT	70±2mm (including tile flange)
TILE FLANGE	15x10mm tile flange
ALCOVE FITTING	Yes
COLOUR	White, Ivory (on request)
WASTE	50mm male outlet thread
SHOWER SCREEN	Compatible with Easy RX shower screen

Model	Size	A	B
ES26CW	900x900	900	900
ES40CW	DISCONTINUED	1000	900
ES34CW	1200x900	1200	900



Edge profile

www.marbletrend.com.au
 T: 1300 717 717
 F: 1300 746 480

DISCLAIMER

Bathroom Products Australia P/L ABN 87 079 297 617 the manufacturer/distributor reserves the right to vary specifications or delete models from their range without prior notification. Dimensions and set-outs listed are correct at the time of publication. All sizes are in millimetres and are nominal. For warranty details refer to www.marbletrend.com.au